

**Novy Undercover Induction
4-zones panoramic 107 cm
Centerpoints Aged Silver**



EAN 5414425260652



Cooking zones

Number of zones	4
Left zone:	
Cooking zones (mm)	230 x 230
Power per zone (max. / power) (W)	2700/3700
Center left zone:	
Cooking zones (mm)	230 x 230
Power per zone (max. / power) (W)	2700/3700
Center right zone:	
Cooking zones (mm)	230 x 230
Power per zone (max. / power) (W)	2700/3700
Right zone:	
Cooking zones (mm)	230 x 230
Power per zone (max. / power) (W)	2700/3700

Cooking functions

Novy controller with touch display and rotary/push control knob	•
Indication LEDs and on/off module in worktop	•
Power levels	9 + Power
Timer per zone	•
Stop&Go	•
Flexzones	• (2x)
Grill function	•
Automatic user preset	•
Child lock function	•
Automatic pot recognition	•
Automatic worktop temperature protection	•
Residual heat indication in worktop	•
Residual heat indication via Novy Controller	•
Residual heat indication via Novy Heat indicator	optional

Technical specifications

Nominal power (W)	7400
Multiphase supply voltage	220-240 / 380-415 V~ - 2P
Single-phase supply voltage	220-240 V~
Weight (kg)	17,7

Accessories

Accessories

USB-C adapter to charge the Novy controller

•

Novy Docking station to charge the Novy controller

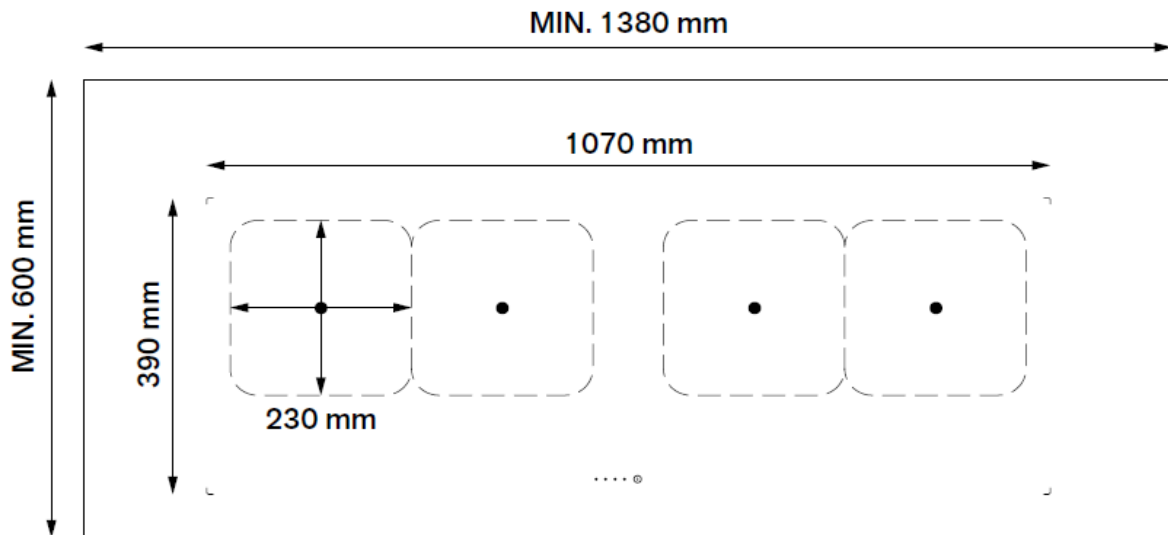
•

Novy floorspot heat indicator

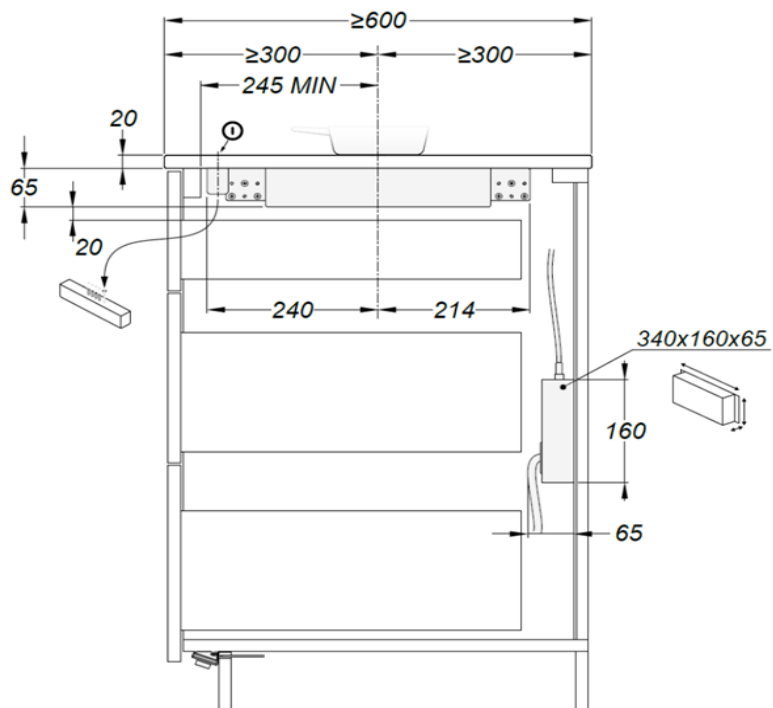
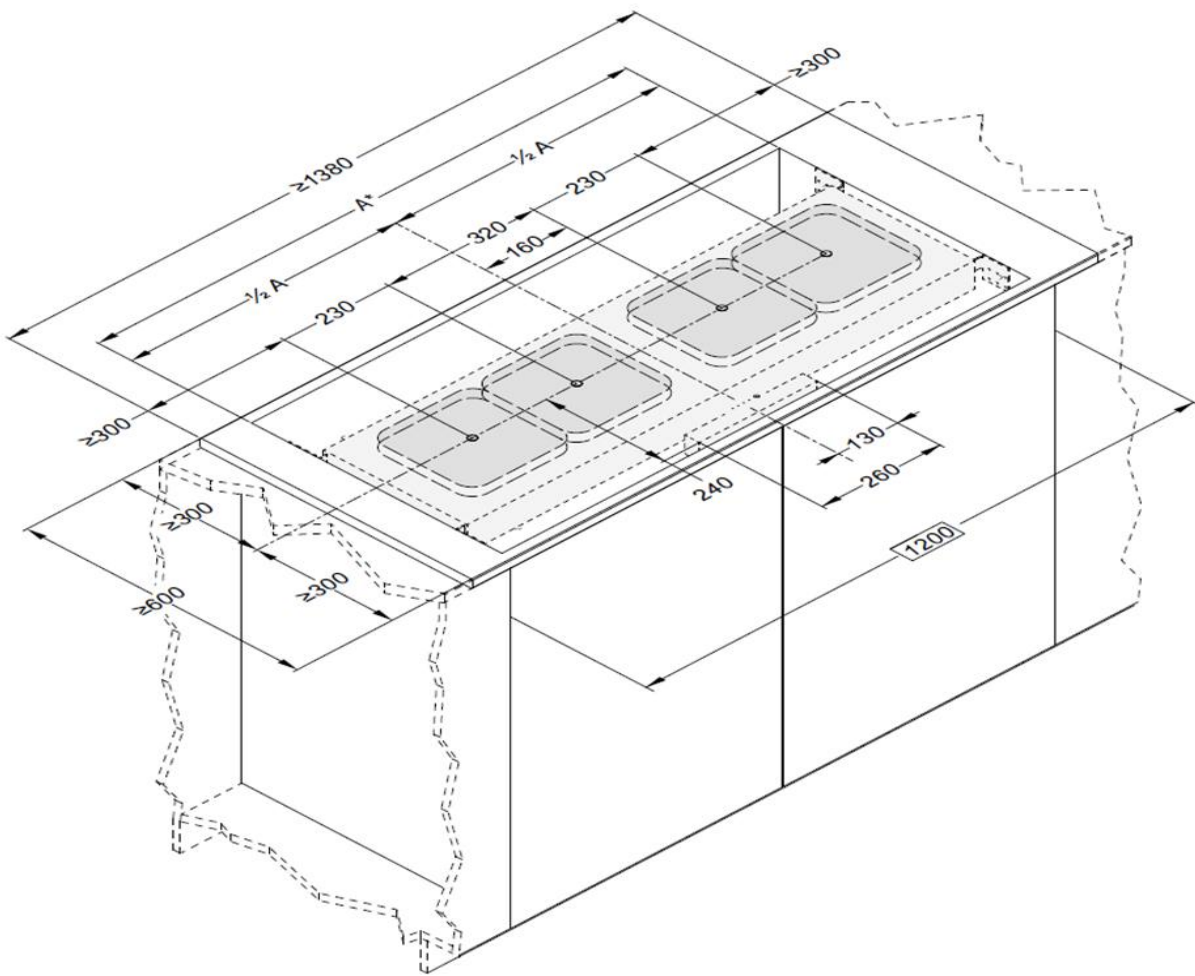
optional

Technical drawings

Dimensions



Dimensions



* Ventilation : Provide a ventilation opening just below the worktop of at least 1800mm² for sufficient cooling of the hob.

Planning guides

The Novy Undercover induction system may only be used in combination with a compatible Dekton 20mm (without mesh) worktop from Cosentino.

Look at the colorlist for all Dekton current worktop colors approved for use with the Novy Undercover induction cooker hob (Novy inductions Dekton colorlist).

[Novy inductions Dekton colorlist](#)



Contact your local Cosentino contact and/or Cosentino website for more detailed information on the correct design and installation criteria.

For Dekton stonemasons: please refer to the Cosentino 'Novy Undercover drilling & marking' specification sheet for correct processing of the worktop.

Pay special attention to the following design criteria during the planning phase:

- The Novy induction system is only applicable in an under-cabinet with a width of 1200 mm (without partition).
Nett internal dimensions of cabinet minimum 1,140 mm and maximum 1,240 mm.
- Minimum worktop width \geq 1380 mm. The countertop must overlap the adjacent cabinets by at least 90 mm on both sides, left and right.
- Cooking zone center to lateral edge of worktop \geq 300 mm.
- Cooking zone center to front and rear edge of worktop \geq 300 mm.
- Do not install other appliances (e.g. ovens, refrigerators or dishwashers) below the Novy Undercover induction system.

Use and maintenance:

- Do not place spacers under the pot. The Novy Undercover induction system can work without the need for any additional protection.
- Refer to the Cosentino documentation for cleaning and maintenance information of the worktop:

[DEKTON Countertops Use and Care \(EN\)](#)